



BP2000

"The Next Generation of Spa Controls"

- Wi-Fi Enabled
- Multiple languages
- Comprehensive diagnostics
- New Software with Color Graphics
- Expandable, Configurable. Supports dozens of Spa Setups.



Made in the USA
BALBOA
water group

Announcing...

The New BP2000 Control System for your Hot Tub



Features

- User friendly interface
- Unparalleled system reliability
- Manufacturing Flexibility
- Corrosion and resistant, chemical resistant heater

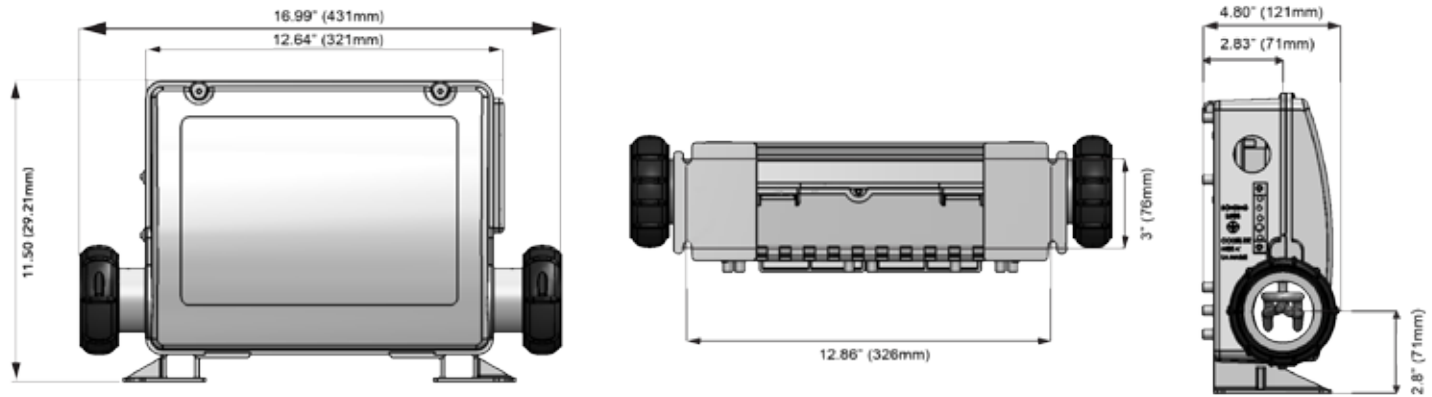
User Interface

- Intuitive menu
- Easy to read color display with graphics
- 5 Background color choices
- Smart chip will detects any problems in your hot tub
- Multiple languages with easy navigation
- State-of-the-art button technology (press & hold)
- Easy Navigation – Shortcuts
- Real time-clock
- Reminder messages
- Comprehensive diagnostics
- Dedicated button (left side)
- Screen size 2.75" (6.98cm) width x 1.75" (4.44cm) height



Incomparable System Reliability

The BP2000 is the first of a new series based on Balboa’s most popular models, utilizing advanced technology and higher flame retardant and impact resistant materials. Wi-Fi Enabled with press and hold buttons for ease of use, meet the newly designed BP2000.



BP2000 System Specifications (UL Expanded)

| Material No. | Pump 1 | Pump 2 | Pump 3 | Circ Pump | Blower | AV (Stereo) | Ozone | Spa Lights | Heater |
|--------------|-----------------|-----------------|-----------------|-----------|----------|-------------|-------|------------|----------------------------|
| 56377-XX* | 240V 2 Speed | 240V 2 Speed | 240V 2 Speed | Optional | Optional | 120V | 120V | 10V | 1-5.5kW @ 240V 800Inc |
| 56390-XX* | 240V 2 Speed | 240V 2 Speed | 240V 2 Speed | Optional | Optional | 120V | 120V | 10V | 1-5.5kW @ 240V 825Inc |
| 56379-XX* | 240V 2 Speed | 240V 2 Speed | 240V 2 Speed | Optional | Optional | 120V | 120V | 10V | 1-5.5kW @ 240V Titanium |

Note: Refer to tech sheet for optional devices and setups.

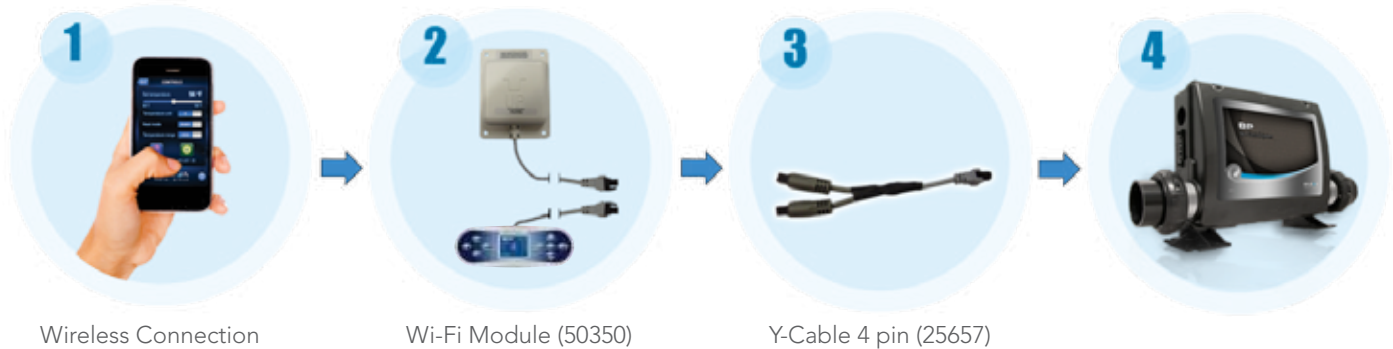
* -XX represents the latest system revision. Example -XX can be -01, -02, -03 etc.

| Environmental | |
|-----------------------|--|
| Operating Temperature | -20°C (-4°F) to 60°C (140°F) |
| Storage Temperature | -25°C (-13°F) to 85°C (185°F) |
| Humidity | Humidity: up to 85% RH, non condensing |
| Enclosure | |
| IPx5 | Metal Heater |
| Certification | |
| UL | |

BP2000 Wi-Fi Enabled

Wireless System Control

Now you can control your system wirelessly. With a few simple connections and some additional hardware you can have full control of your spa system. To download the software go to the Apple Apps store and download the free spa app, run through the quick setup and your done.



Powerful, Yet Simple Userface

A sleek new topside panel includes a large easy to read back-lit LCD with simple to follow end user menus. With new press and hold button technology, setting temperature and other common tasks have been simplified. User navigation is intuitive and easier than ever, reducing customer service help calls.

Compatible Topside Panels



Panel TP400

- 4 button with LCD display

Material No.:

- 55702: No Overlay (TP400W)
- 55701: No Overlay (TP400T)
- 50259: With Overlay (12510)
- 50260: With Overlay (12511)



Panel TP600

- 6 button with LCD display

Material No.:

- 55676: No Overlay
- 56046: 15ft. Cord
- 50016: For International
- 55673: With Overlay (12101)
- 50014: For Intl' with overlay (12101)



Panel TP800

- 9 button with LCD display

Material No.:

- 50204: No Overlay
- 50261: With Overlay (12512)



Panel TP900

- 5 button with LCD display

Material No.:

- 55994: No Overlay
- 50262: With Overlay (12513)

BP20000712

©2012 Balboa Water Group. All rights reserved. Your Single Source Solution.
1382 Bell Avenue | Tustin, CA 92780 | p 714.384.0382 | www.balboawatergroup.com

Balboa reserves the right to change technical data without further notice.

BALBOA
water group